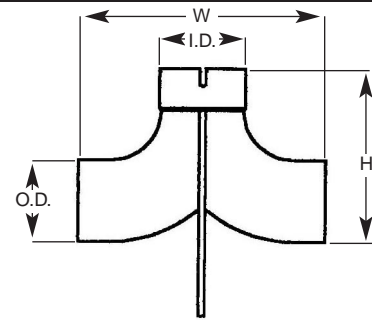


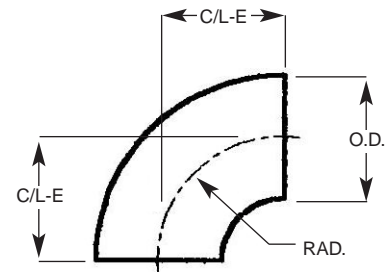
MILL, CHROME OR ALUMINIZED SPLIT T PIPES AND SHORT RADIUS ELBOWS

| MILL | CHROME | ALUMINIZED | WIDTH | HEIGHT | ID | OD |
|---|-----------|------------|-------|--------|------|----|
| Split T Pipes (with Support Bracket) | | | | | | |
| 16-404 | 4016-404 | 4316-404 | 12 " | 10 " | 4.03 | 4 |
| 16-4424 | 4016-4424 | 4316-4424 | 24 " | 15 " | 4.03 | 4 |
| 16-555 | 4016-555 | 4316-555 | 15 " | 10.5 " | 5.03 | 5 |
| 16-5530 | 4016-5530 | 4316-5530 | 30 " | 15 " | 50.3 | 5 |
| 16-666 | 4016-666 | 4316-666 | 17 " | 16 " | 6.03 | 6 |



Short Radius Elbows

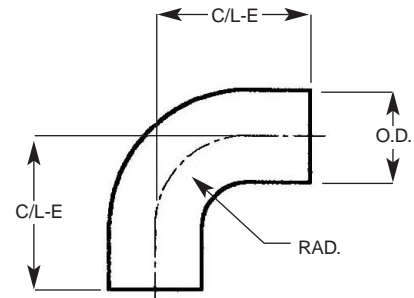
| | | | | | | |
|--------|----------|----------|---------|---------|----------|--------|
| 3-300 | 403-300 | 433-300 | 3 " | 3 " | 3 " | 90 Deg |
| 3-350 | 403-350 | 433-350 | 3 1/2 " | 3 1/2 " | 3 1/2 " | 90 Deg |
| 3-400 | 403-400 | 433-400 | 4 " | 4 " | 4 " | 90 Deg |
| 3-500 | 403-500 | 433-500 | 5 " | 5 1/2 " | 5 1/2 " | 90 Deg |
| 3-600 | 403-600 | 433-600 | 6 " | 6 " | 6 " | 90 Deg |
| 3-700 | 403-700 | 433-700 | 7 " | 9 " | 9 " | 90 Deg |
| 3-745 | 403-745 | 433-745 | 7 " | 9 " | 3 3/4 " | 45 Deg |
| 3-800 | 403-800 | 433-800 | 8 " | 9 7/8 " | 9 7/8 " | 90 Deg |
| 3-845 | 403-845 | 433-845 | 8 " | 9 7/8 " | 4 3/32 " | 45 Deg |
| 3-1090 | 403-1090 | 433-1090 | 10 " | 11 " | 11 " | 90 Deg |
| 3-1045 | 403-1045 | 433-1045 | 10 " | 11 " | 4 9/16 " | 45 Deg |



Designed for modern trucks where tight bends are required. Available in 8 popular sizes. All are 16 gauge.

Special Short Radius 90 Deg Elbows (Plain End)

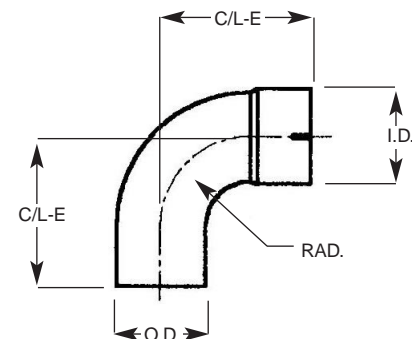
| | | | | | |
|--------|----------|----------|---------|---------|------------------|
| 4-202 | 404-202 | 434-202 | 2 " | 2 " | 4 " |
| 4-252 | 404-252 | 434-252 | 2 1/2 " | 2 1/2 " | 5 " |
| 4-302 | 404-302 | 434-302 | 3 " | 3 " | 5 " |
| 4-352 | 404-352 | 434-352 | 3 1/2 " | 3 1/2 " | 5 1/2 " |
| 4-402 | 404-402 | 434-402 | 4 " | 4 " | 6 " |
| 4-446 | 404-446 | 434-446 | 4 " | 4 " | 10, 8 " |
| 4-503 | 404-503 | 434-503 | 5 " | 5 1/2 " | 7 1/2 " |
| 4-509 | 404-509 | 434-509 | 5 " | 5 1/2 " | 10 " |
| 4-515 | 404-515 | 434-515 | 5 " | 5 1/2 " | 15 " |
| 4-548 | 404-548 | 434-548 | 5 " | 5 1/2 " | 13 1/2, 9 1/2 " |
| 4-548M | 404-548M | 434-548M | 5 " | 5 1/2 " | 19 1/2, 10 1/2 " |
| 4-604 | 404-604 | 434-604 | 6 " | 6 " | 10 " |



Same as above but furnished with plain ends for erect attachment to flex hose or muffler for installation. All are 16 gauge.

Special Short Radius 90 Deg Elbows (Expanded & Slotted)

| | | | | | |
|-----------|-------------|-------------|---------|---------|------------------|
| 4-202ES | 404-202ES | 434-202ES | 2 " | 2 " | 4 " |
| 4-252ES | 404-252ES | 434-252ES | 2 1/2 " | 2 1/2 " | 5 " |
| 4-302ES | 404-302ES | 434-302ES | 3 " | 3 " | 5 " |
| 4-352ES | 404-352ES | 434-352ES | 3 1/2 " | 3 1/2 " | 5 1/2 " |
| 4-402ES | 404-402ES | 434-402ES | 4 " | 4 " | 6 " |
| 4-446ES | 404-446ES | 434-446ES | 4 " | 4 " | 10, 8 " |
| 4-503ES | 404-503ES | 434-503ES | 5 " | 5 1/2 " | 7 1/2 " |
| 4-509ES | 404-509ES | 434-509ES | 5 " | 5 1/2 " | 10 " |
| 4-515ES | 404-515ES | 434-515ES | 5 " | 5 1/2 " | 15 " |
| 4-548ES | 404-548ES | 434-548ES | 5 " | 5 1/2 " | 13 1/2, 9 1/2 " |
| 4-548M-ES | 404-548M-ES | 434-548M-ES | 5 " | 5 1/2 " | 19 1/2, 10 1/2 " |
| 4-604ES | 404-604ES | 434-604ES | 6 " | 6 " | 10 " |



All elbows may be expanded and slotted at extra cost. Use 'ES' when ordering.